

3.3mm(H) Slide Switch (TH, SMT Type)

SSG-B7/B8T/S-32BT/SH




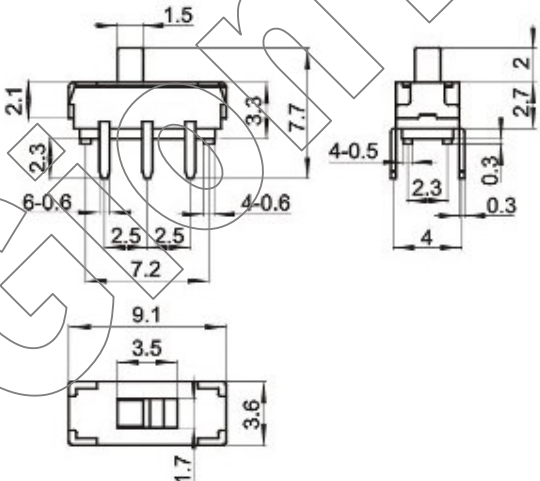
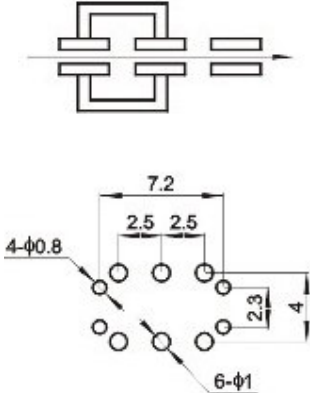
SS - Slide Switch
 G - G Serious
 B7/B8 - Type
 S/T – SMT/TH Type
 X – Pins
 X – Switch
 A / B – Contact Row A=1, B=2
 T – Top Slide
 H - With Post (Optional)

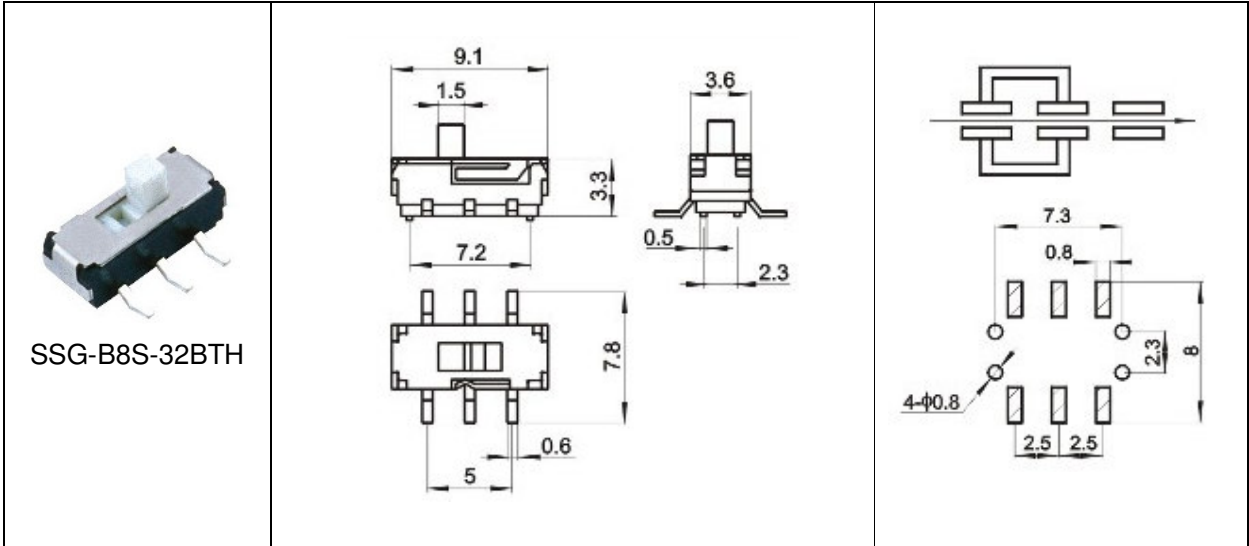
SPECIFICATIONS

Mechanical Life: 12,500 cycles
 Operating Force: 200g±100g, 250g±100g
 Rating: 30mA 6.3V DC
 Dielectric Withstanding: 500V AC/minute
 Insulator resistance: ≥ 100 MΩ at 100V
 Contact resistance: ≤ 70 mΩ/Contact
 Operating temperature: -20°C ~ +70°C
 Storage temperature: -40°C ~ +85°C

Material

Base: PBT/PA6T/LCP, UL94V-0
 Contact material: Phosphor Bronze
 Contact Spring Plating: Stainless Steel/Silver Plating

Physical Picture	Outline Drawing	Circuit / Footprint
 <p>SSG-B7T-32BTH</p>		



GionTech